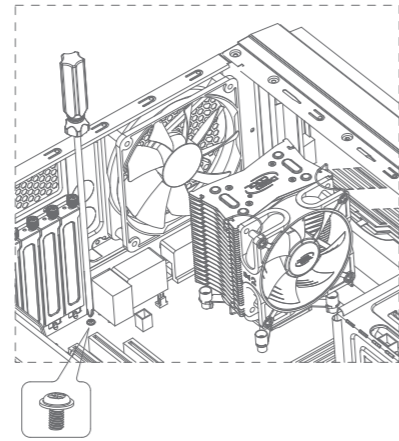
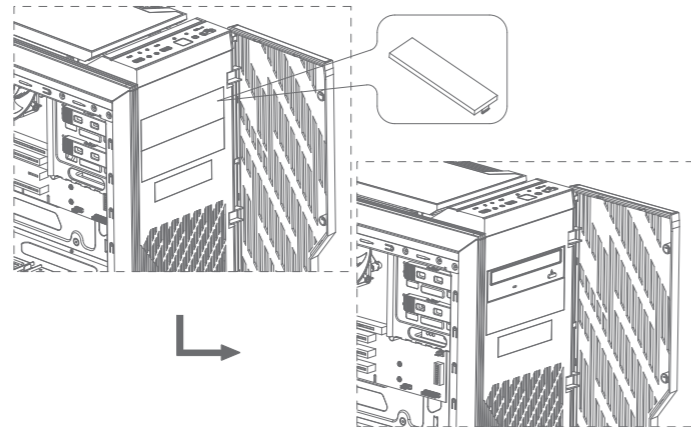


1. Motherboard Installation

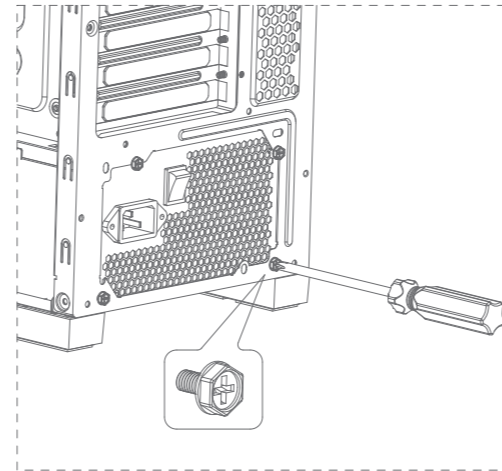
Motherboard Compatible: ATX / MICRO-ATX / MINI-ITX



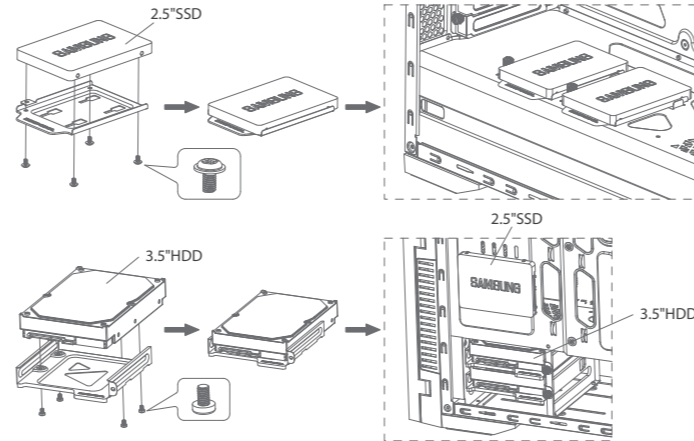
2. 5.25" Drive Bay Installation



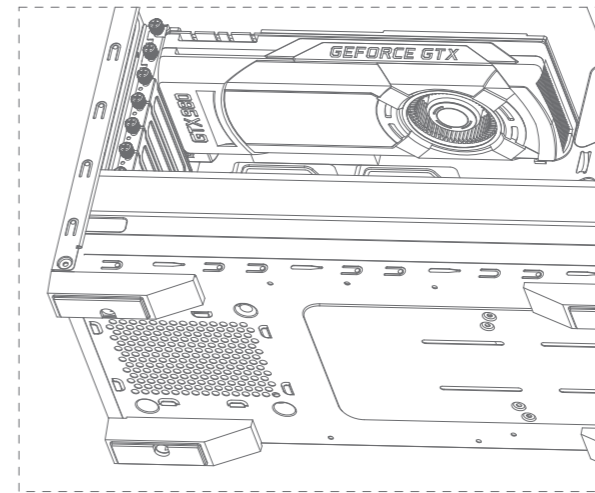
3. Power Supply Installation



4. HDD Installation



5. PCI card Installation



7. Cable Connection

	Panel Connector	High Definition Audio (Azalia)	USB 2.0 Connector	USB 3.0 Connector
Motherboard	IDELED+ □ PLED+ IDELED- □ PLED- Ground □ PWR Reset □ GND NC □ No Pin	MIC2_L □ AGND MIC2_R □ PRESENSE# HP_R □ MIC2_JD Jack_Sense □ No Pin HP_L □ HP_HD	USB+5V □ USB+5V USB_P- □ USB_P- USB_P+ □ USB_P+ GND □ GND No Pin □ NC	IntA_P2_D+ □ ID IntA_P2_D- □ IntA_P1_D+ GND □ IntA_P1_D- IntA_P2_SSTX+ □ GND IntA_P2_SSTX- □ IntA_P1_SSTX+ GND □ IntA_P1_SSTX- IntA_P2_SSRX+ □ GND IntA_P2_SSRX- □ IntA_P1_SSRX+ VBUS □ IntA_P1_SSRX- VBUS
	Panel Connector POWER SW □ PWR GND □ GND RESET SW □ Ground Reset	HD Audio Connector H.D.D LED □ IDELED+ IDELED- □ IDELED- POW LED- □ PLED- POW LED+ □ PLED+	USB 2.0 Connector 	USB 3.0 Connector

6. I/O, Outside Control

