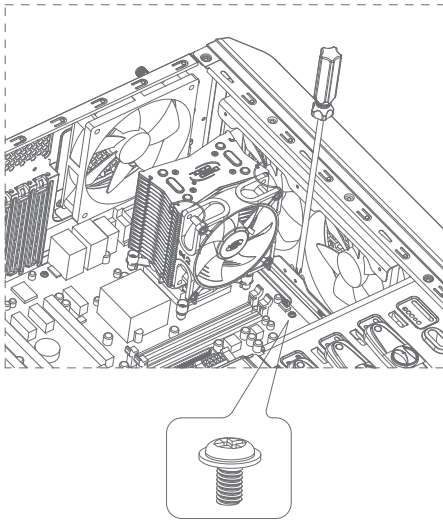
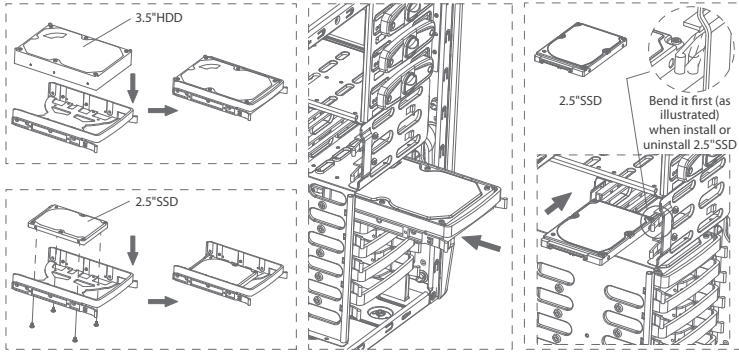


## 1. Motherboard Installation

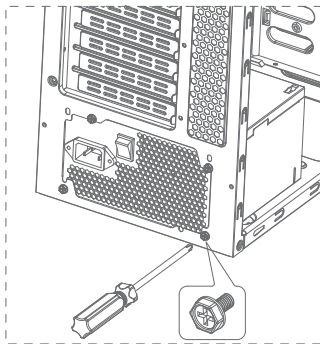
Motherboard Compatible: ATX / MICRO-ATX / MINI-ITX



## 3. HDD Installation



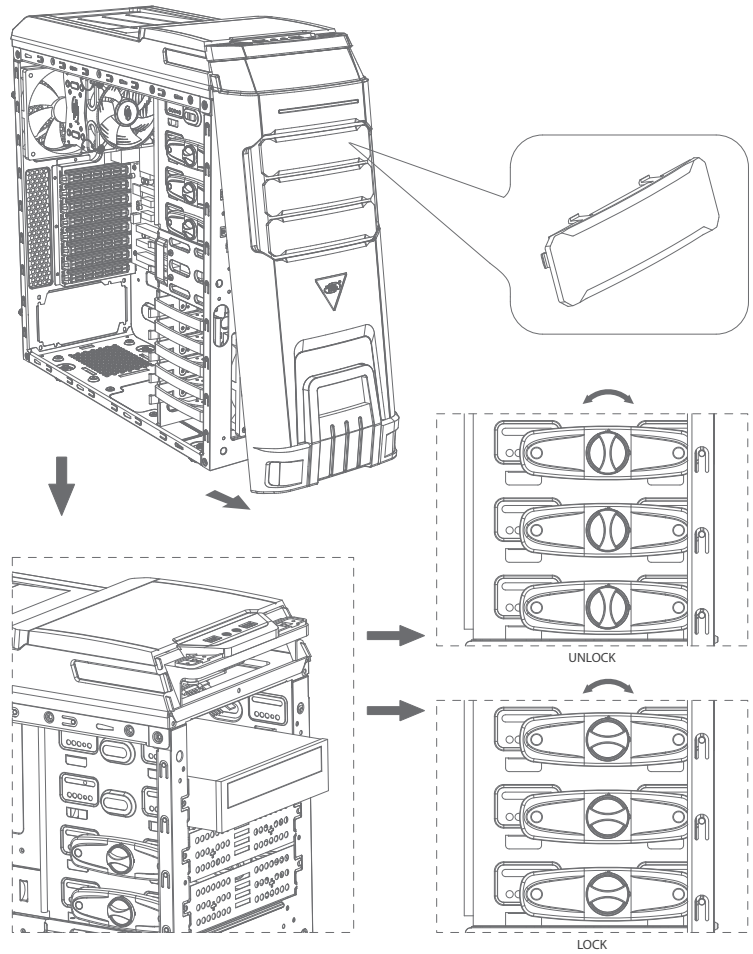
## 4. Power Supply Installation



## 6. Cable Connection

	Panel Connector	High Definition Audio (Azalia)	USB 2.0 Connector	USB 3.0 Connector
Motherboard	IDELED+ — □ — PLED+ IDELED- — □ — PLED- Ground — □ — PWR Reset — □ — GND NC — □ — No Pin	MIC2_L — □ — AGND MIC2_R — □ — PRESENSE# HP_R — □ — MIC2_JD Jack_Sense — □ — No Pin HP_L — □ — HP_HD	USB+5V — □ — USB+5V USB_P- — □ — USB_P- USB_P+ — □ — USB_P+ GND — □ — GND No Pin — □ — NC	IntA_P2_D+ — □ — ID IntA_P2_D- — □ — IntA_P1_D+ GND — □ — IntA_P1_D- IntA_P2_SSTX+ — □ — GND IntA_P2_SSTX- — □ — IntA_P1_SSTX+ GND — □ — IntA_P1_SSTX- IntA_P2_SSRX+ — □ — IntA_P1_SSRX+ IntA_P2_SSRX- — □ — IntA_P1_SSRX- VBUS — □ — VBUS
	Panel Connector POWER SW — PWR — GND RESET SW — Ground — Reset	HD Audio Connector H.D.D LED — IDELED+ — IDELED- POW LED- — PLED- — POW LED+ — PLED+	USB 2.0 Connector 	USB 3.0 Connector 

## 2. 5.25" Drive Bay Installation



## 5. I/O, Outside Control

