

# 2MP Fixed Dome Network Camera

IPC322LR3-VSPF28(40)-C



## Key Features

### Optics

- Day/night functionality
- SmartIR, up to 30 m (98 ft) IR distance
- Car-grade LEDs, brighter and uniform light compensation
- 2D/3D DNR (Digital Noise Reduction)

### Compression

- Ultra 265, H.265, H.264, MJPEG
- Triple streams
- ROI (Region of Interest)

### Network

- ONVIF Conformance

### Structure

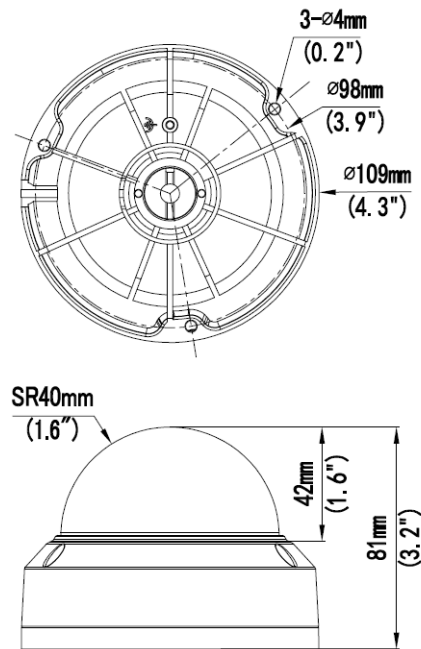
- Wide temperature range: -30°C to 60°C (-22°F to 140°F)
- Wide input voltage range of  $\pm 25\%$
- 2-Axis
- IK10 vandal resistant
- IP66

## Specifications

	IPC322LR3-VSPF28-C	IPC322LR3-VSPF40-C			
<b>Camera</b>					
Sensor	1/2.7", progressive scan , 2 megapixel, CMOS				
Lens	2.8 mm@ F1.8		4.0 mm@ F1.8		
DORI Distance	Lens	Detect(m)	Observe(m)	Recognize(m)	Identify(m)
	2.8mm	42	16.8	8.4	4.2
	4mm	60	24	12	6
Angle of View (H)	112.7°		86.5°		
Angle of View (V)	60.1°		44.1°		
Angle of View (O)	146.5°		106.4°		
Adjustment angle	Pan: 0°~360°		Tilt: 0°~75°		
Shutter	Auto/Manual, 1/6~1/100000 s				
Minimum Illumination	Colour: 0.01 Lux (F1.8, AGC ON) 0 Lux with IR				
Day/Night	IR-cut filter with auto switch (ICR)				
Digital noise reduction	2D/3D DNR				
S/N	>52dB				
IR Range	Up to 30m (98 ft) IR range				
Defog	Digital Defog				
WDR	DWDR				
<b>Video</b>					
Video Compression	Ultra 265,H.265, H.264,MJPEG				
H.264 code profile	Baseline profile, Main Profile, High Profile				
Frame Rate	Main Stream: 2MP (1920×1080): Max. 25 fps; Sub Stream:720P (1280×720): Max. 25 fps; Third Stream:D1(720×576) : Max. 25fps				
HLC	Supported				
BLC	Supported				
OSD	Up to 8 OSDs				
Privacy Mask	Up to 4 areas				
ROI	Supported				
Motion Detection	Up to 4 areas				
General Function	Watermark, IP Address Filtering, Tampering Alarm, Access Policy, ARP Protection, RTSP Authentication, User Authentication				
<b>Network</b>					
Protocols	IPv4, IGMP, ICMP, ARP, TCP, UDP, DHCP, RTP, RTSP, RTCP, DNS, DDNS, NTP, FTP, UPnP, HTTP, HTTPS, SMTP				
Compatible Integration	ONVIF(Profile S), API				
<b>Interface</b>					
Network	1 RJ45 10M/100M Base-TX Ethernet				
<b>General</b>					
Power	12 V DC±25%, PoE (IEEE802.3 af)				
	Power consumption: Max 5.0W				

Dimensions (Ø x H)	Φ108.5 x 81 mm (Ø4.28" x 3.2")
Weight	0.3 kg (0.66 lb)
Working Environment	-30°C ~ +60°C (-22°F ~ 140°F), Humidity:10%~95% RH(non-condensing)
Ingress Protection	IP66
Vandal Resistant	IK10

## Dimensions



### Zhejiang Uniview Technologies Co., Ltd.

South Tower, Building 10, Wanlun Science Park, 88 Jiangling Road, Hangzhou, P.R.China 310051

Email: [overseasbusiness@uniview.com](mailto:overseasbusiness@uniview.com); [globalsupport@uniview.com](mailto:globalsupport@uniview.com)

<http://www.uniview.com>

©2017-2018 Zhejiang Uniview Technologies Co., Ltd. All rights reserved.

\*Product specifications and availability are subject to change without notice.