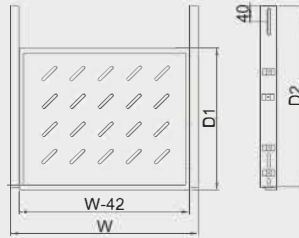


Sliding shelf



Dimension

Sliding shelf

Material:

- SPCC cold rolled steel t1.2 /14"2-section slide .

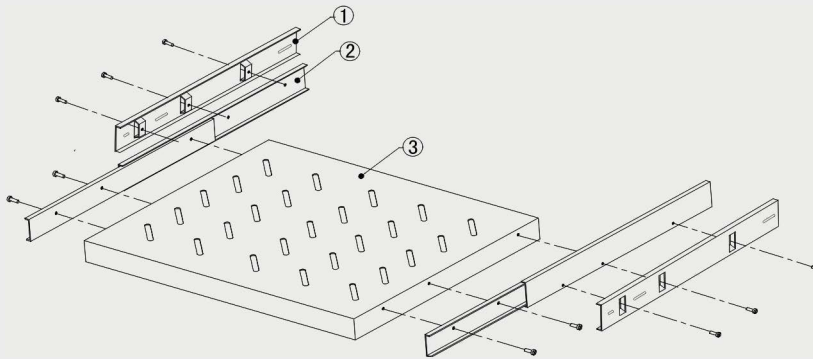
Surface Finish:

- Degreasing, phosphoric, powder coated .

Parameter:

- Flexing length: 210MM Loading capacity: 20KG .

Structure of sliding shelf



1. Guiding girder
2. 14" 2-section slide
3. Sliding loading plate

Specification:

Definition of color: SA.■■■■■. ■■■01:RAL9004

SA.■■■■■. ■■■00:RAL7035

Model No.	Specification	Dimension(MM)			Use
		W	D1	D2	
SA.0560.19■■■	60 Sliding shelf	472	350	350	19" installation for 600-depth cabinets
SA.0580.19■■■	80 Sliding shelf	472	550	550	19" installation for 800-depth cabinets
SA.0590.19■■■	90 Sliding shelf	472	650	650	19" installation for 900-depth cabinets
SA.0596.19■■■	96 Sliding shelf	472	710	730	19" installation for 960/1000-depth cabinets
SA.0560.27■■■	60 Extra-width Sliding shelf	672	350	350	27" installation for 600-depth cabinets, remove cable management slot and spacer
SA.0580.27■■■	80 Extra-width Sliding shelf	672	550	550	27" installation for 800-depth cabinets, remove cable management slot and spacer
SA.0590.27■■■	90 Extra-width Sliding shelf	672	650	650	27" installation for 900-depth cabinets, remove cable management slot and spacer
SA.0596.27■■■	96 Extra-width Sliding shelf	672	710	730	27" installation for 960/ 1000-depth cabinets, remove cable management slot and spacer