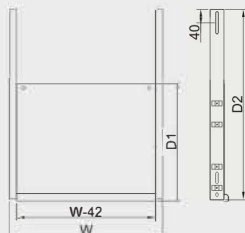




Keyboard panel



Dimension

Keyboard panel

Material:

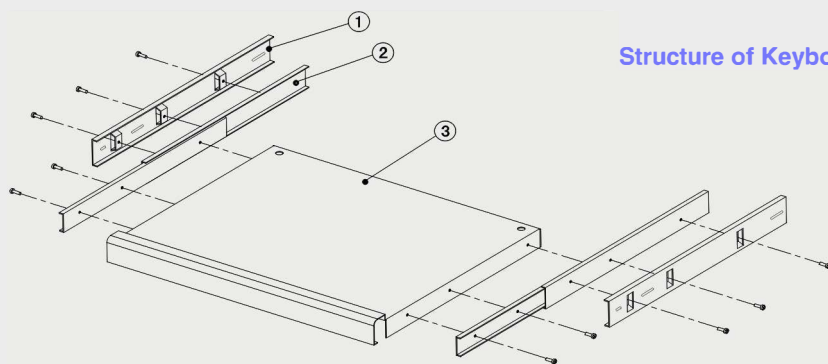
- SPCC cold rolled steel t1.2 /14"2-section slide .

Surface Finish:

- Degreasing, phosphoric, powder coated .

Parameter:

- Flexing length: 210MM Loading capacity: 20KG .



Structure of Keyboard panel

1. Guiding girder
2. 14" 2-section slide
3. Keyboard loading plate

Specification:

Definition of color: SA.■■■■. ■■01:RAL9004 SA.■■■■. ■■00:RAL7035

Model No.	Specification	Dimension(MM)			Use
		W	D1	D2	
SA.0760.19■■■	60 Keyboard tray	472	358.8	350	19" installation for 600-depth cabinets
SA.0780.19■■■	80 Keyboard tray	472	358.8	550	19" installation for 800-depth cabinets
SA.0790.19■■■	90 Keyboard tray	472	358.8	650	19" installation for 900-depth cabinets
SA.0796.19■■■	96 Keyboard tray	472	358.8	730	19" installation for 960/1000-depth cabinets
SA.0760.27■■■	60 Extra-width Keyboard tray	672	358.8	350	27" installation for 600-depth cabinets, remove cable management slot and spacer
SA.0780.27■■■	80 Extra-width Keyboard tray	672	358.8	550	27" installation for 800-depth cabinets, remove cable management slot and spacer
SA.0790.27■■■	90 Extra-width Keyboard tray	672	358.8	650	27" installation for 900-depth cabinets, remove cable management slot and spacer
SA.0796.27■■■	96 Extra-width Keyboard tray	672	358.8	730	27" installation for 960/ 1000-depth cabinets, remove cable management slot and spacer